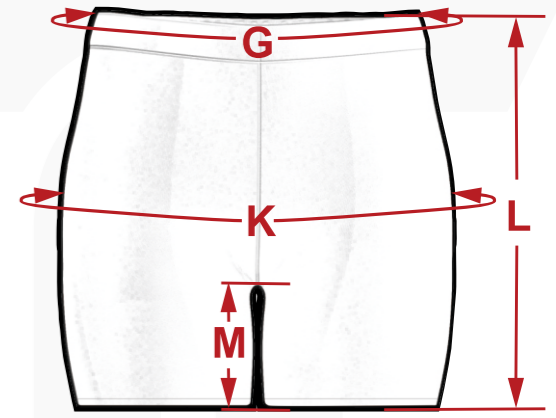
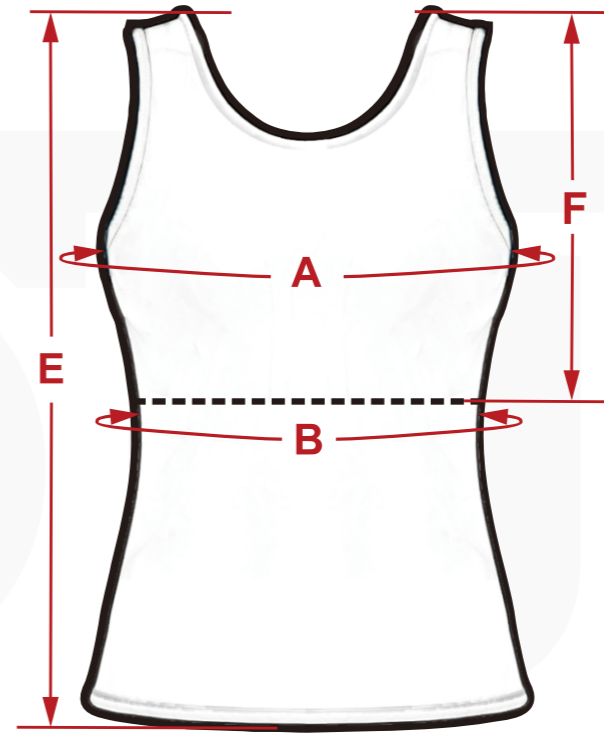
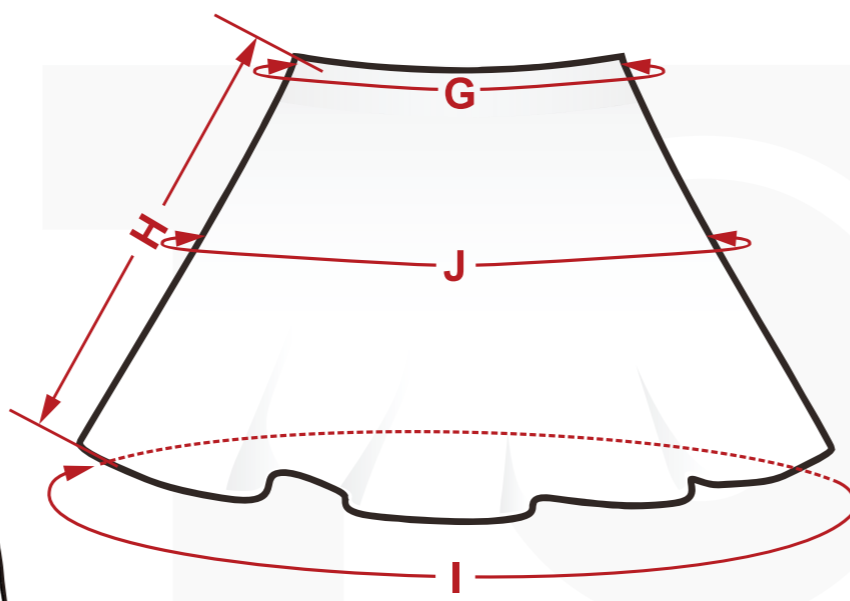
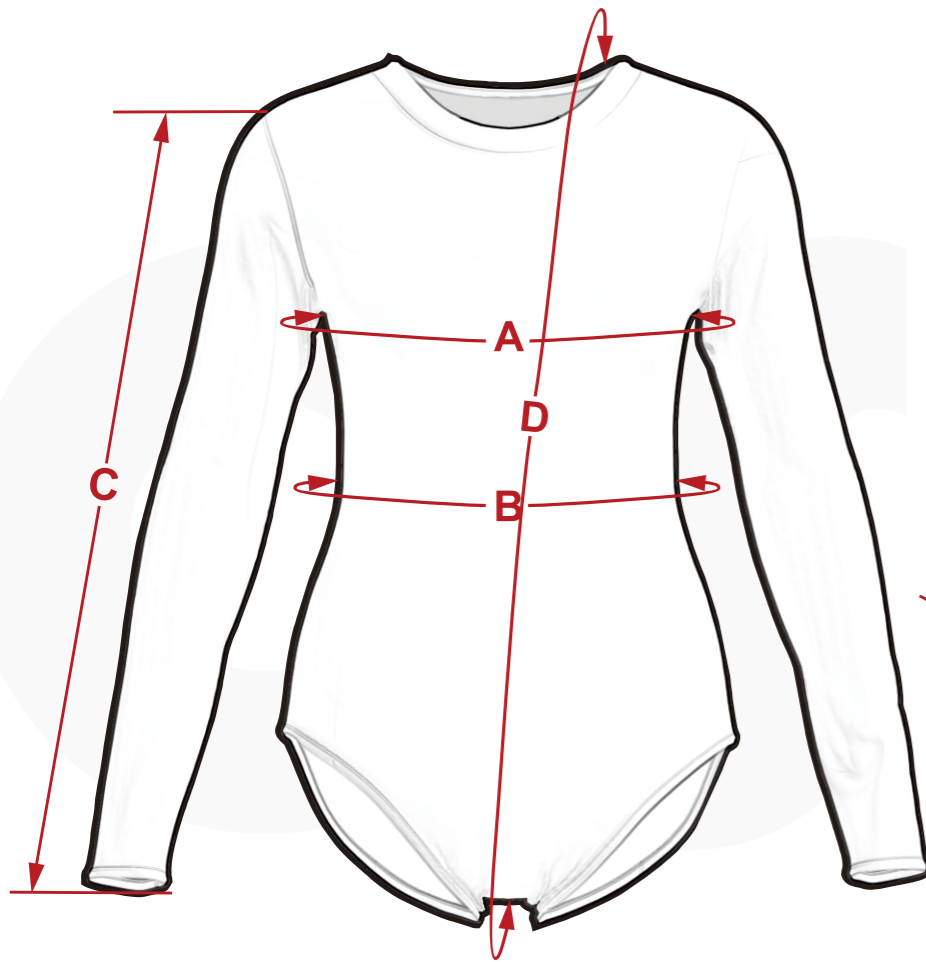


# UNIFORM & PRACTICE WEAR

## SIZING CHART



**A . Chest**

**B . Waist**

**C . sleeve Length**

**D . Girth**

**E . Long Top Length**

**F . Crop Top Length**

**G . Waist**

**H . Skirt Length**

**I . Skirt Hem**

**J . Skirt Hip**

**K . Short Hip**

**L . Short Length**

**M . Short Inseam**

### Size (Female)

Unit: Inch	Y2XS	YXS	YS	YM	YL	YXL	AXS	AS	AM	AL	AXL	A2XL	A3XL	A4XL	A5XL
Chest (A)	20.1	22.0	24.0	26.0	28.0	29.9	29.9	31.9	33.9	36.2	38.2	40.9	44.1	47.2	50.0
Waist (B)	18.1	20.1	21.3	23.2	24.8	26.8	26.0	28.0	29.9	32.3	34.3	37.0	40.2	44.1	47.2
Sleeve Length (C)	15.7	16.5	17.7	18.5	19.7	20.5	22.0	22.4	23.2	23.2	23.6	24.0	24.0	24.0	24.0
Girth (D)	40.2	42.1	44.1	46.1	48.0	50.0	55.9	57.9	59.8	62.2	64.2	66.1	68.1	70.1	72.0
Long Top Length (E)	17.7	17.7	17.7	18.5	19.7	19.7	21.7	22.4	22.4	23.6	23.6	24.8	24.8	24.8	25.6
Crop Top Length (F)	10.2	10.2	11.0	11.0	12.2	12.2	12.2	13.0	13.0	14.2	14.2	14.2	15.0	15.0	15.0

	Y2XS	YXS	YS	YM	YL	YXL	AXS	AS	AM	AL	AXL	A2XL	A3XL	A4XL	A5XL
Waist (G)	16.9	18.9	20.9	23.2	25.2	27.2	24.0	26.0	28.0	29.9	31.9	35.0	38.2	40.9	44.1
Skirt Length (H)	9.1	9.1	9.4	9.8	10.2	10.6	11.0	11.4	11.8	12.2	12.6	13.4	13.8	14.2	14.6
Skirt Hem (I)	24.0	26.0	27.6	29.9	32.3	34.3	31.9	33.5	35.8	37.4	39.4	42.5	45.7	48.4	51.6
Skirt Hip (J)	22.8	24.8	26.8	28.7	31.1	33.1	30.7	32.7	34.6	36.6	38.6	41.7	44.9	47.6	50.8
Short Hip (K)	22.0	24.0	26.0	28.0	30.3	32.3	29.5	31.5	33.5	35.4	37.4	40.6	43.7	46.5	49.6
Short Length (L)	7.9	7.9	8.3	8.7	9.1	9.4	9.8	10.2	10.6	11.0	11.4	12.2	12.6	13.0	13.4
Short Inseam (M)	1.4	1.4	1.4	1.6	1.6	1.6	1.6	1.6	1.8	1.8	1.8	2.0	2.2	2.2	2.6

\* Note: This chart only provides general estimates which allows  $\pm 0.5$  inches tolerance.